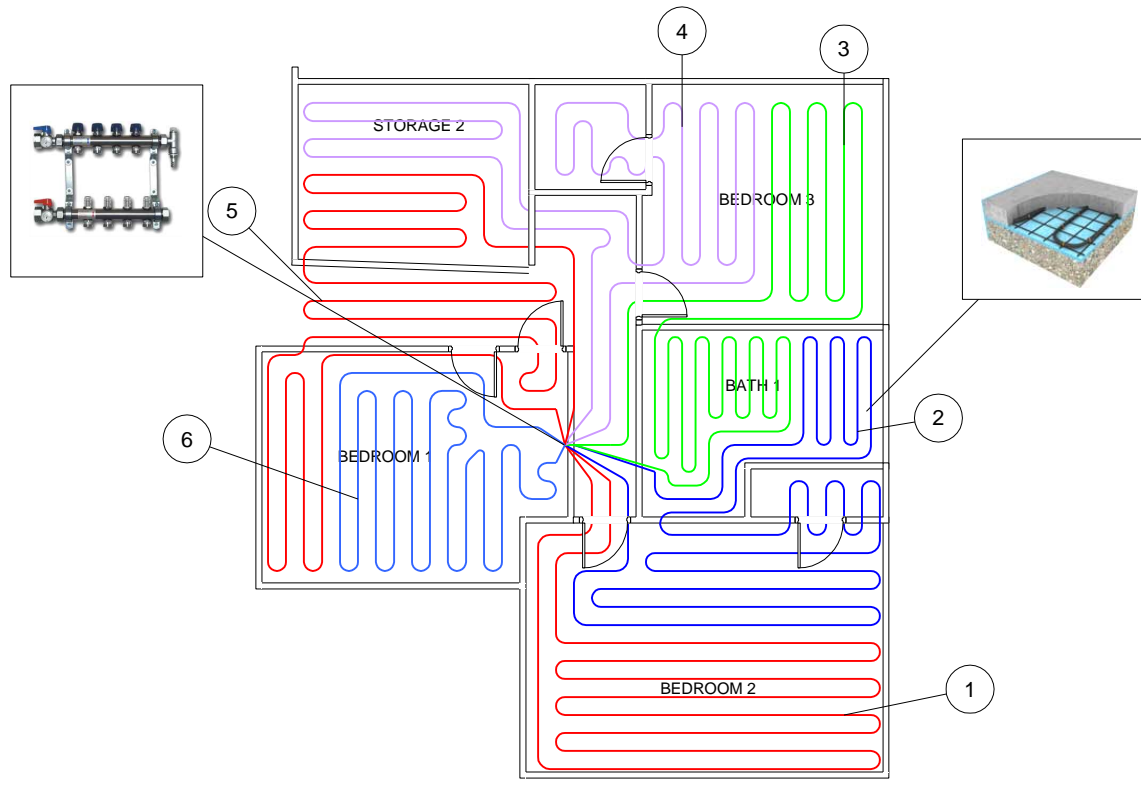


Zone 1	Nancy Lowe Project			
	Radiant Circuit Suggested Layout			
	SIZE	FSCM NO	DWG NO	REV
	SCALE	3/32" = 1'-0"	SHEET	1 OF 2



Zone 2	Nancy Lowe Project			
	Radiant Circuit Suggested Layout			
	SIZE	FSCM NO	DWG NO	REV
	SCALE	3/32" = 1'-0"	SHEET	2 OF 2